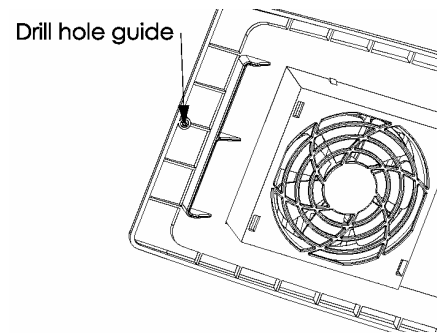


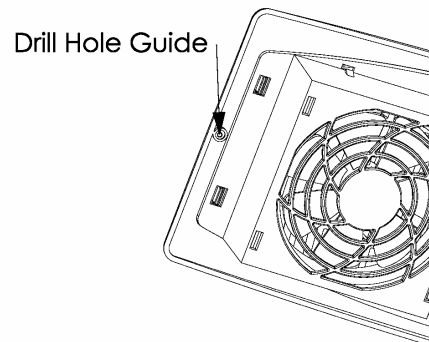
AirFlow Breeze 4x10 and 4x12 Wall Mount Instructions

1. To wall mount your 4x10 or 4x12 you will need:
 - a. Drill
 - b. 3/16th” drill bit (recommended)
 - c. Screw Driver
 - d. Screws from existing vent
2. Turn Breeze over (bottom up)
3. Locate (2) two drill guides, (1) one on each end

4x12 Bottom View



4x10 Bottom View



4. Drill hole out from bottom using 3/16th” drill bit
5. Remove existing register.
6. Mount Breeze to wall with existing screws